

# ENGINE TOOLS 377 THRU 618

**RTX**

III	No	Part#	Description	Qty
1		876 631	Tool kit	1
1		876 195	Tool bag	1
2		876 640	Fixation tool	1
3		876 210	Socket wrench, 21/26mm	1
4		977 420	Bolt 8x130-10 for socket wrench	1
5		876 227	Socket wrench, 10/13mm	1
6		977 425	Bolt 6x130-10 for socket wrench	1
7		276 065	Fork wrench 10x13mm	1
8		876 200	Screw driver	1
9		ROPEST	Starter rope, 5.5x2110mm	1
		876 065	Puller assy, 277	1
10-11		876 740	Trestle assy	1
10		876 762	Trestle support assy	1
		876 655	Puller plate, 277	1
11		876 746	Mounting plate w/detent for 277 through 618	1
		840 860	Cylinder screw M6x25,277	3
12		876 940	Gauge adaptor	1
		976 890	Protection cap assy, 277	1
13		841 771	Set screw M6x8	1
14		876 950	Precision dial gauge	1
15		876 945	Gauge pin	1
16		277 150	Degree disk, 532/582/618	1
17		277 905	Wrench,oil pump gear	1
18		876 080	Puller plate,377 to 618	1
19		940 591	Hex screw M8x20,377 to 618	3
20		876 065	Puller M42x1.5,377 to 618	1
21		977 475	Bearing puller half	2
22		276 025	Bearing puller half	2
		276 930	Plastic ring, 277 mag	1
		876 620	Distance gauge,pto 3/4/5	1
23		977 490	Ring for bearing puller	1
		276 940	Insertion jig, 277 pto	1
		876 357	Fan tool, 3/4/5	1
24		876 569	Distance ring for puller	1
		277 875	Stamp to mount oil seal, 277	1
		876 171	Cylinder aligning tool, 3/4/5	1
25		876 552	Protection mushroom, pto side	1
		876 660	Stamp to mount oil seal, 277	1
		240 276	Hex screw M8x32	1
26		876 557	Protection mushroom, mag side	1
27-28		877 635	Puller assy	1
28		940 755	Hex screw, M16x1.5x150	1
29		841 201	Hex screw, M8x70	4
30		876 572	Cylinder aligning tool,532/582	1
		876 574	Cylinder aligning tool, 618 intake	1
31		876 904	Cylinder aligning tool,exhaust	1
32		876 612	Extrusion jig	1
33		876 982	Guide sleeve	1
34		876 500	Insertion jig	1
35		876 602	Insertion jig	1
36		877 607	Insertion jig	1
37		876 512	Insertion jig	1
38		876 052	Insertion jig	1
39		877 031	Rubber protection mat	1
40		877 091	Piston pin extractor assy	1

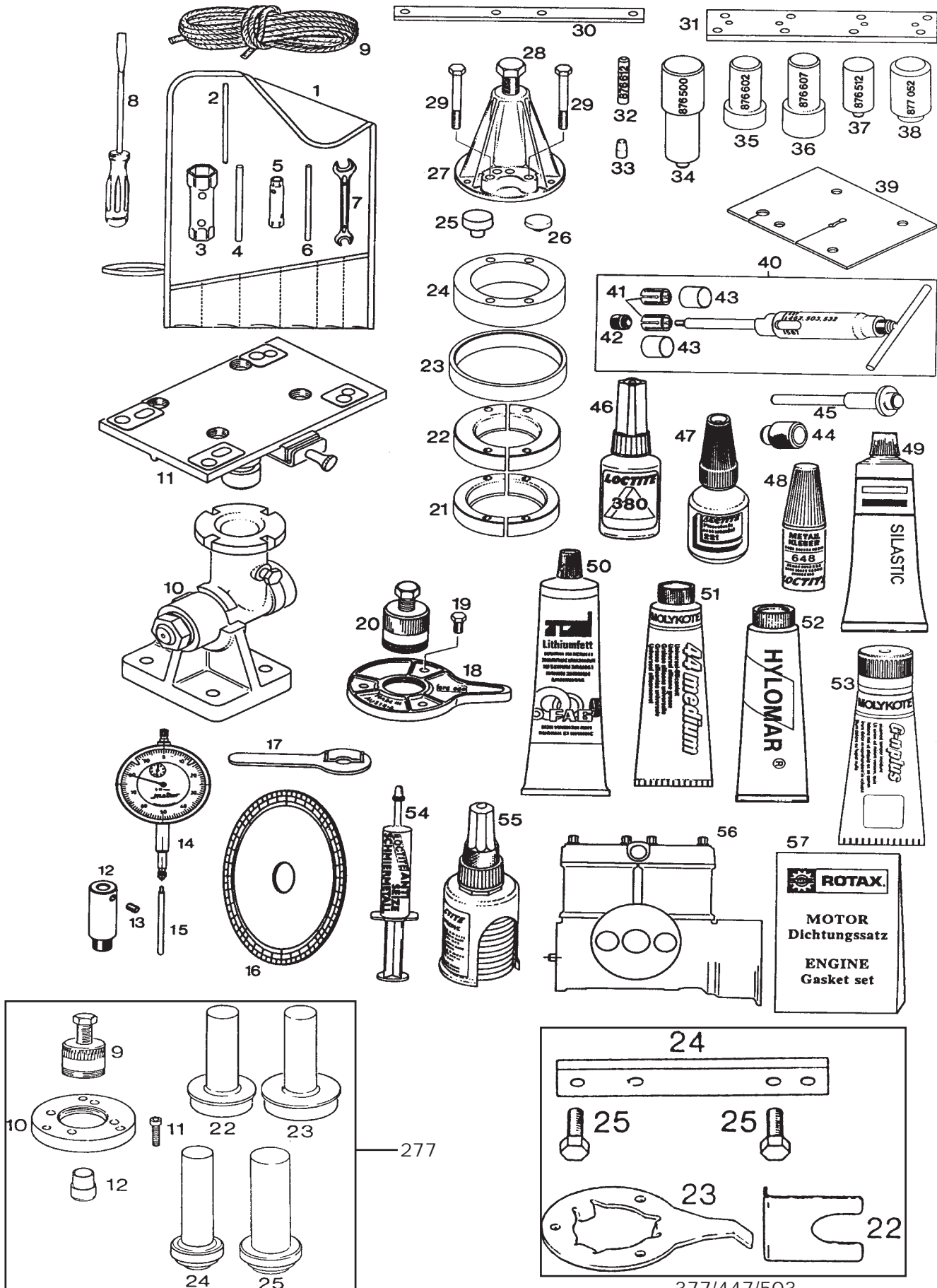
III	No	Part#	Description	Qty
41		877 040	Expansion sleeve	1
42		877 155	Extracting nut assy	1
43		877 180	Locating sleeve	1
44-45		877 015	Circlip installation tool,277 to 582-90 for 945 735	1
		877 515	Circlip installation tool, 618 only for 945 735	1
		877 805	Circlip installation tool for monohook type clip 845 540	1
46		897 511	Loctite 380 black, 20 gram	1
47		LT222	Loctite 222, violet	1
48		LT680	Loctite 680, green	1
49		297 386	Silastic 732 RTV, 100 gram	1
50		897 330	Lithium based grease, 250gram	1
51		DOW44	Molykote 44, medium grease	1
52		897 241	Permanent plastic sealer	1
53		297 433	Molykote G-N slide paste, 50gr	1
54		PSAS	Anti seize	1
55		899 784	Loctite 574, orange	1
56		M277BL	Engine block only, 277	1
		M447BL	Engine block only, 447	1
		M503BL	Engine block only,503	1
		M582BL	Engine block only,582	1
		M618BL	Engine block only,618	1
57		992 068	Gasket set, 277	1
		994 865	Gasket set, 377	1
		994 867	Gasket set, 447 prov 4	1
		994 869	Gasket set, 447 prov 8/CDI	1
		994 861	Gasket set, 503 prov 4	1
		994 864	Gasket set, 503 prov 8 PI	1
		994 236	Gasket set, 503 CDI	1
		994 428	Gasket set, 532	1
		886 230	Gasket set, 582	1
		886 238	Gasket set, 618	1

**ALL GASKET SETS INCLUDE END SEALS**

# ENGINE TOOLS 377 THRU 618

TOOLS

RTX



377/447/503

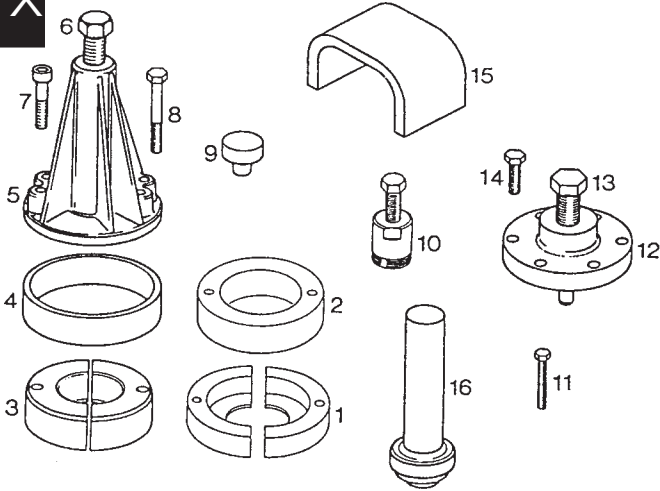
Lockwood Aviation Supply  
Order Line 1-800-LA-ROTAX

www.lockwood-aviation.com  
Info Line 1-863-655-5100

e-mail: info@lockwood.aero  
Fax Line 1-863-655-6225

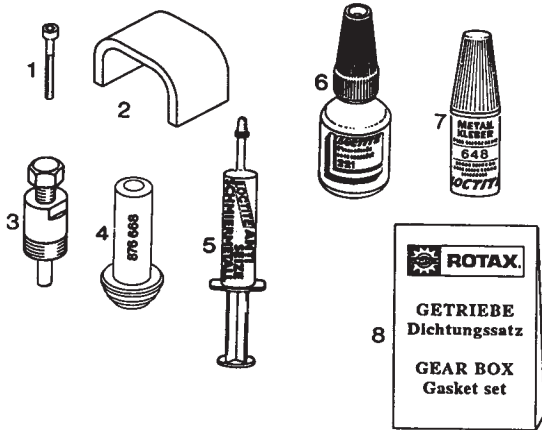
277 GEAR DRIVE TOOLS

RTX



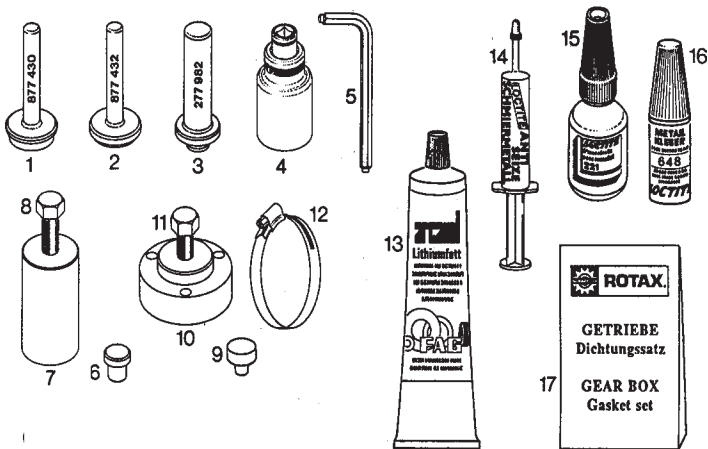
Ill No.	Part No.	Description	Qty
1	876 890	Ring half,drive gear puller	2
2	876 560	Distance ring, drive gear puller	1
3	876 330	Ring half for ball bearing	2
4	977 480	Ring for puller	1
5-6	876 296	Puller assy for bearing	1
6	940 755	Hex screw	1
7	840 680	Cylinder screw, M8x40	2
8	841 201	Hex screw M8x70, for drv gr pllr	2
9	876 552	Protection mushroom	1
10	276 808	Gear puller for internal threads	1
11	241 475	Hex screw	2
12-13	876 865	Puller assy for prop hub	1
13	876 870	Hex screw M16x1.5	1
14	940 480	Hex screw M8x30	6
15	876 880	Mounting bracket	1
16	876 666	Oil seal insertion jig	1
	LT242	Loctite 242, blue	1
	LT680	Loctite 680, green	1
	995 780	Gear drive gasket set	1

"B" DRIVE TOOLS



Ill No.	Part No.	Description	Qty
1	241 875	Allen screw M6x70/45	2
2	876 880	Mounting yoke for dog gear	1
3	276 808	Puller assy, 2.0/2.24/2.58:1	1
4	876 668	Insertion jig for prop shaft seal	1
5	PSAS	Anti seize	1
6	LT222	Loctite 222, violet	1
7	LT680	Loctite 680, green	1
8	995 781	Gear drive gasket set	1

"C" AND "E" DRIVE TOOLS



Ill No.	Part No.	Description	Qty
1	877 430	Insertion jig, prop shaft seal	1
2	877 432	Insertion jig, gear housing seal	1
3	277 982	Insertion jig, gear housing seal	1
4	877 445	Socket wrench assy 41x12.5	1
5	277 817	Allen key w/pilot, 8mm	1
6	877 415	Protection mushroom for prop shft	1
7-8	877 375	Puller assy	1
8	940 755	Hex screw M16x1.5x150	1
9	876 552	Protection mushroom pto side	1
10-11	877 425	Flywheel puller assy	1
11	941 680	hex screw M16x1.5x56	1
12	851 160	Clamp 90-110 for hardy disk	1
13	897 330	Lithium based grease, 250 gram	1
14	PSAS	Anti seize	1
15	LT222	Loctite 222, violet	1
16	LT680	Loctite 680, green	1
17	995 775	Gasket set, "C" drive	1
18	995 776	Gasket set, "E" drive	1