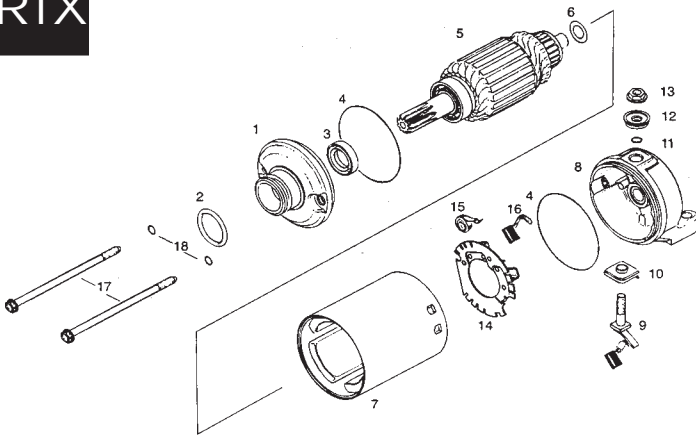


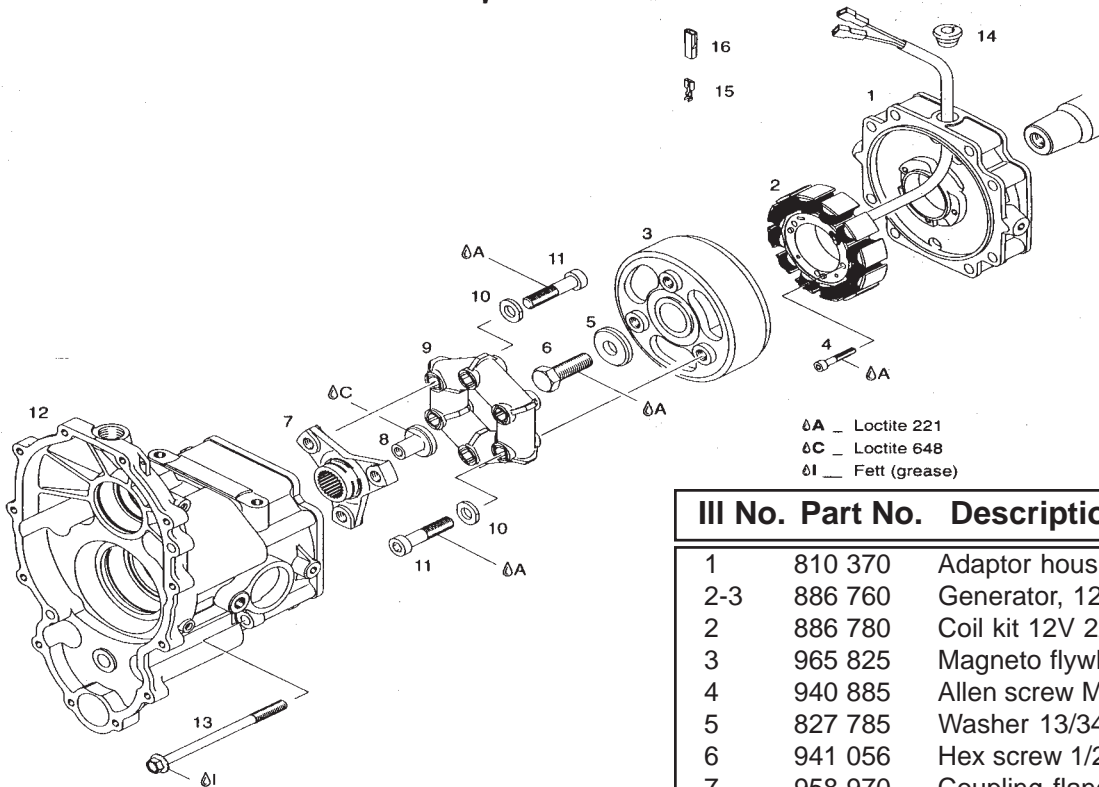
ELECTRIC STARTER PARTS FOR "E" DRIVE STARTER

RTX



Ill No.	Part#	Description	Qty
1-18	293 153	Electric starter assy for E drive	1
1	264 137	Support	1
2	250 140	O ring 24.4x3.1	1
3	250 130	Oil seal 15x24x5	1
4	850 500	O ring	1
5	264 142	Rotor assy	1
6	827 600	Shim	1
7	264 151	Starter housing	1
8	264 172	Rotor support assy	1
9	264 184	Carbon brush assy	1
10	260 810	Connector sheath	1
11	230 530	O ring 6x1.7	1
12	260 800	Connector sheath	1
13	242 780	Combined nut M6	1
14-16	866 891	Brush holder w/spring	1
17	241 137	Hex collar screw M5x100	1
18	850 510	O ring 4.7x1.4	2

ACCESSORY GENERATOR 12V 220W, FOR "C" OR "E" DRIVE



FOR INSTALLATION INSTRUCTIONS SEE
SERVICE BULLETIN #UL10UL94

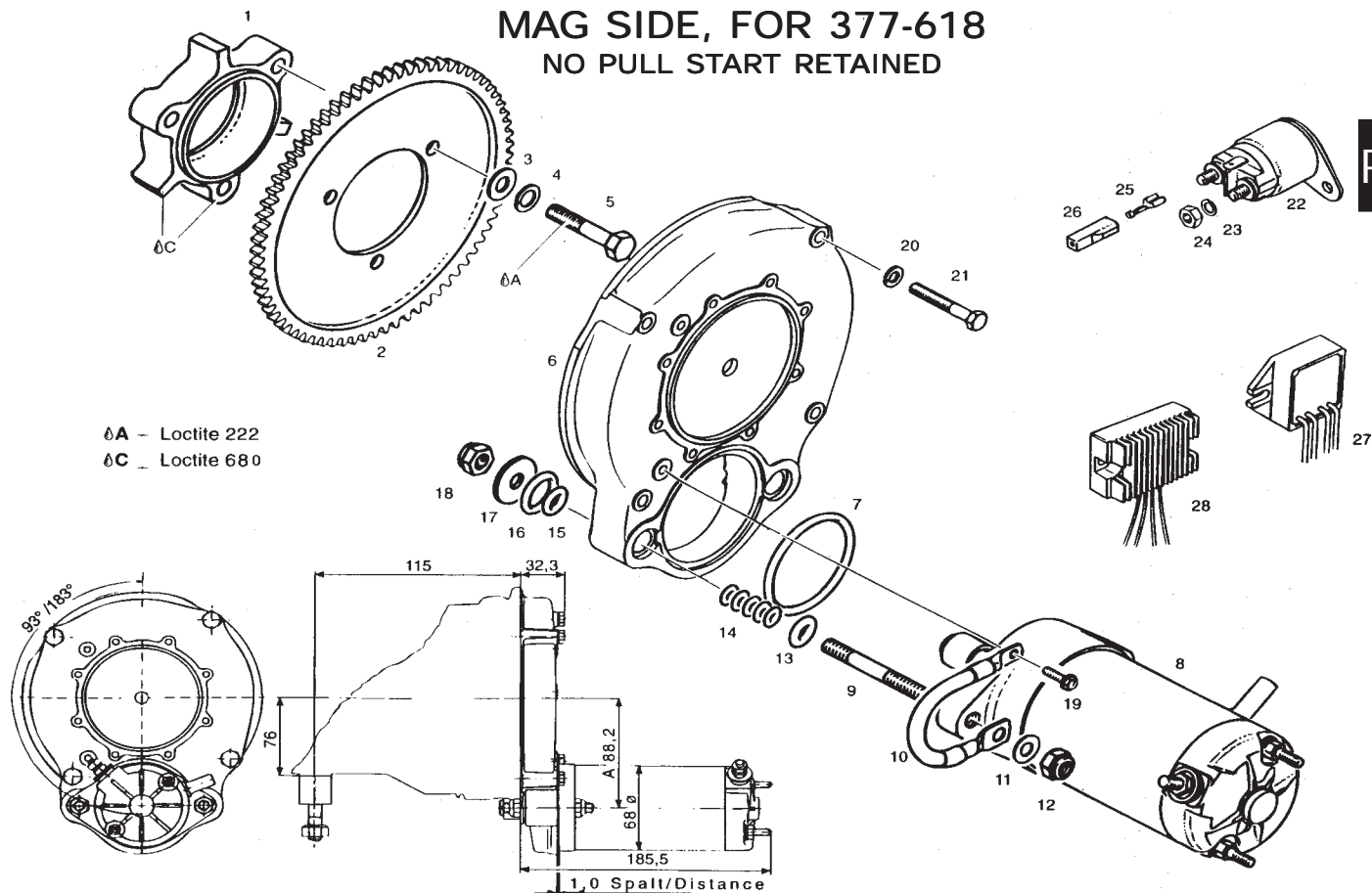
Ill No.	Part No.	Description	Qty
1	810 370	Adaptor housing	1
2-3	886 760	Generator, 12V 220W	1
2	886 780	Coil kit 12V 220W	1
3	965 825	Magneto flywheel, 12V 220W	1
4	940 885	Allen screw M5x30, 6NM	3
5	827 785	Washer 13/34/5	1
6	941 056	Hex screw 1/2-20UNFx1/2,80NM	1
7	958 970	Coupling flange	1
8	842 660	Nut M8	1
9	958 960	Rubber coupling	1
10	944 120	Washer	6
11	841 820	Allen screw M10x45, 40NM	6
12	810 011	Gear box housing, "C" type	1
	910 350	Gear box housing, "E" type	1
13	941 651	Hex screw M8x119, SW11	8
14	960 282	Cable grommet, 15.5/9	1
15	864 011	Faston connector 6.3x.8	1
16	960 719	Connector sheath	1

ELECTRIC STARTER

STARTERS

MAG SIDE, FOR 377-618

NO PULL START RETAINED



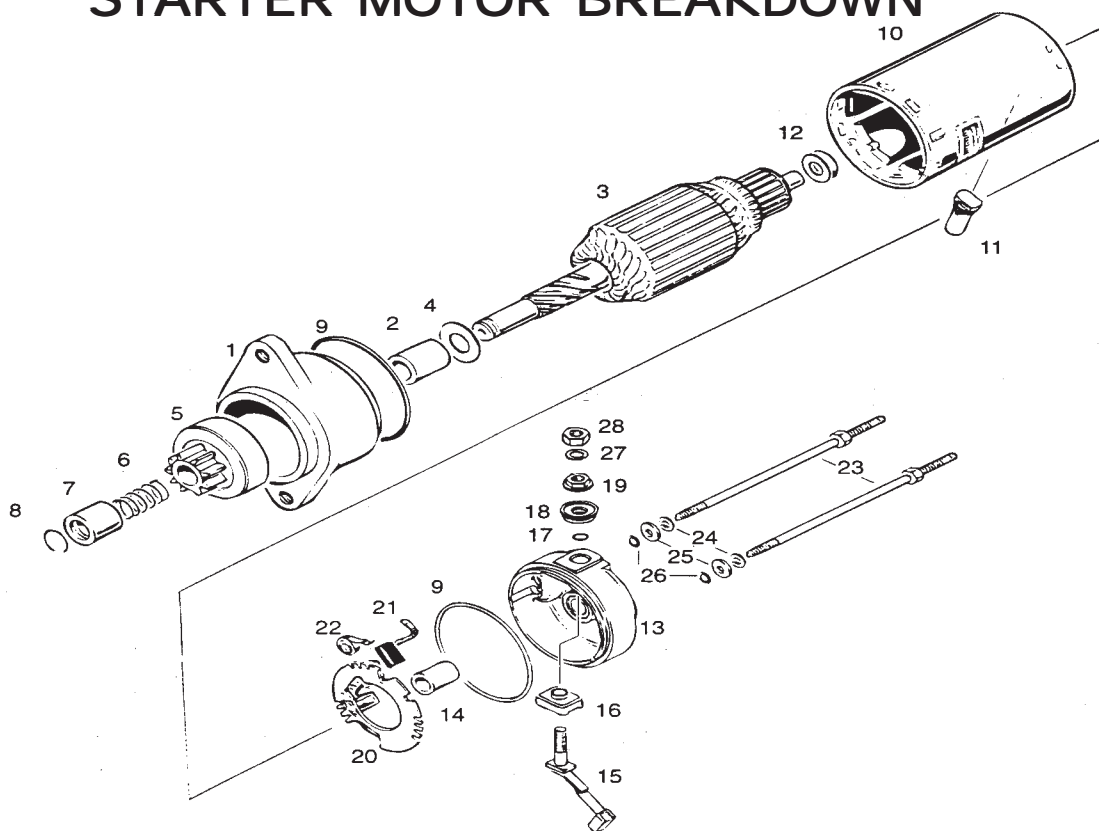
Ill No.	Part No.	Description	Qty
1-26*	995 925	Starter kit, 277/377/447/503	1
	995 92532	Starter kit, 532/582 no LDK	1
	995 926	Starter kit, 532/582/618 w/LDK	1
1	852 370	Starter gear adaptor for 377/447/503,.89" tall	1
	852 372	Starter gear adaptor for 532/582 no LDK,1" tall	1
	852 376	Starter gear adaptor for 277 free air, 1.16" tall	1
	852 378	Starter gear adaptor for 532/582/618 w/LDK,.8" tall	1
2	834 050	Starter gear 61T	1
3	250 311	Washer 8.4	3
4	945 752	Lock washer A8	3
5	940 490	Hex screw M8x35, 22NM 377/447/503 only	3
	940 616	Hex screw M8x40, 22NM 532/582/618 only	3
6-19	995 920	Electric starter set	1
6	910 731	Starter cover	1
7	850 390	O ring 60-4	1
8	995 430	Electric starter assy	1
9	841 950	Stud M8x43/23,8NM	2
10	966 030	Mass cable 80mm assy	1
11	944 038	Washer 8.4/14/1	1
12	942 030	Lock nut M8, 22NM	2
13	850 585	O ring 8x5	2

Ill No.	Part No.	Description	Qty
14	230 260	O ring 6x3	10
15	850 580	O ring 8x4	2
16	850 590	O ring 16-4	2
17	827 910	Washer 8.2/26.3/2	2
18	942 030	Lock nut M8	2
19	841 680	Taptite screw M5x8,5NM	1
20	945 751	Lock washer A6	4
21	241 816	Allen screw M6x40,10NM	4
22	992 819	Starter relay/solenoid	1
23	945 751	Lock washer A6	2
24	242 211	Hex nut M6	2
25	864 010	Faston connector 6.3x.8	1
26	960 719	Connector sheath	1
27	866 080	Rectifier/regulator,requires minimum 1 amp load to regulate	1
28	264 870	Rectifier/regulator, no load rqd	1

NOTE: PAY CLOSE ATTENTION TO SPACING REQUIREMENTS SHOWN BETWEEN STARTER MOTOR(#8) AND STARTER COVER(#6) WHEN TIGHTENING NYLOCK NUTS(#12) OR YOU WILL CRACK AND/OR BREAK THE STARTER COVER(#6) BOLT(#9) MOUNTING HOLES COMPLETELY OFF. IF ORDERING FOR A 503 WITH OIL INJECTION, PLEASE ORDER THE OIL PUMP GEAR #935 972, AS IT IS NOT INCLUDED IN THE ELECTRIC STARTER KIT.

*Kits fit: 277 Free air, NOT AVAILABLE FOR 277 FC
377 Fan cooled/Free air 3631985 and up
447 Fan cooled/Free air 3624188 and up
All 503/532/582/618 engines

MAG END ELECTRIC STARTER MOTOR BREAKDOWN

Ill No.	Part No.	Description	Qty
1-26	995 430	Electric starter assy	1
1-2	866 880	Drive housing assy	1
3	866 870	Rotor assy	1
4	927 050	Thrust washer 15.3/24/1	1
5	866 850	Overrunning clutch drive assy	1
6	939 030	Spring	1
7	927 040	Stop collar	1
8	845 360	Criclip	1
9	850 500	O ring 62-1.5	2
10	866 860	Yoke assy	1
11	860 600	Venting rubber	1
12	827 600	Shim	As Rqd
13-19	866 900	End frame assy	1

Ill No.	Part No.	Description	Qty
14		Not available as a spare part	
15	866 892	Carbon brush w/screw	1
16	260 820	Isolating bushing	1
17	230 530	ring 6x1.7	1
18	260 800	Connector sheath	1
19	242 780	Combined nut M6	1
20-22	866 890	Brush holder w/springs	1
23	841 860	Screw M5	2
24	945 750	Lock washer A5	2
25	827 800	Washer A5.5	2
26	850 510	O ring 4.7x1.4	2
27	945 751	Lock washer A6	1
28	242 211	Hex nut M6	1

**NOTE: ABOVE BREAKDOWN DOES NOT APPLY TO
E DRIVE STARTER MOTOR, SEE GEAR DRIVE
SECTION FOR E DRIVE PARTS**

ROTAX MAG END STARTER MOUNTING POSITIONS:
 277/377/447/503 Free air only = 3/6/9/12 o'clock positions
 377/447/503 Fan Cooled only = 6/9 o'clock positions
 532/582/618 liquid cooled = 6/12 o'clock positions

REWIND STARTER

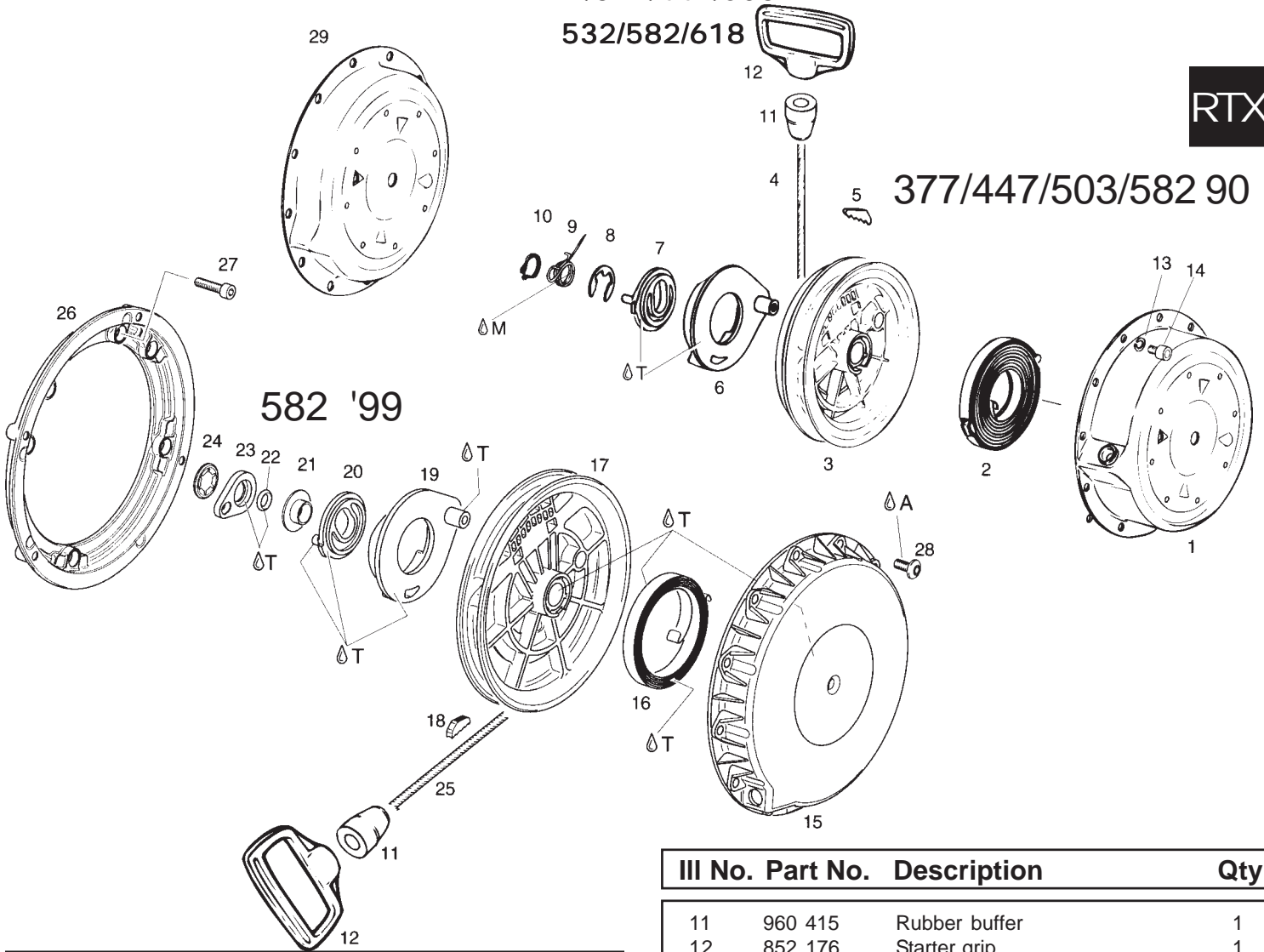
STARTERS

277/377/447/503

532/582/618

RTX

377/447/503/582 90



582 '99

Ill No.	Part No.	Description	Qty
1-12	994 872	Rewind starter assy 277/447CDI/503CDI w/out oil injection,582-90	1
	994 874	Rewind starter assy 377,447PI,503PI,532	1
	994 838	Rewind starter assy 503CDI w/oil injection	1
1	910 067	Starter housing assy for 503CDI w/oil injection	1
	910 105	Starter housing assy 277/447CDI/503CDI w/out oil injection, 582	1
	910 107	Starter housing assy 377/447PI,503PI,532	1
2	938 008	Rewind spring assy	1
3	852 283	Rope sheave	1
4	ROPEST	Starter rope	As Rqd
5	852 070	Key clamp	1
6	852 290	Pawl	1
7	852 300	Pawl lock	1
8	845 300	Retaining ring 15	1
9	938 986	Locking spring	1
10	945 770	Snap ring AV17	1

Ill No.	Part No.	Description	Qty
11	960 415	Rubber buffer	1
12	852 176	Starter grip	1
13	945 751	Lock washer A6	4
14	241 236	Allen screw M6x16	4
11,12,15-25	887 445	Rewind starter, 582 '99	1
15	811 400	Starter housing, 582 '99	1
16	939 110	Rewind spring, 582 '99	1
17	852 285	Rope sheave, 582 '99	1
18	852 070	Key clamp, 582 '99	1
19	852 297	Pawl, 582 '99	1
20	852 303	Pawl lock, 582 '99	1
21	847 925	Step collar, 582 '99	1
22	250 400	O ring, 582 '99	1
23	852 520	Lock lever, 582 '99	1
24	845 560	Locking element, 582 '99	1
25	ROPEST	Starter rope	As Rqd
26	810 865	Connecting flange, 582 '99	1
27	241 231	Allen screw M6x16, 582 '99	4
28	640 321	Taptite screw, 582 '99	4
29	810 380	Ignition cover, empty, thin	1

STARTING PULLEY CUP (NOT SHOWN):

ENGINE PART#	HEIGHT
277FC	852 311 1.043"
277FA	852 323 1.317"
377/447/503	852 412 1.041"
532/582(NO LDK)	852 422 1.19"
532/582/618(W/LDK)	852 410 .872"