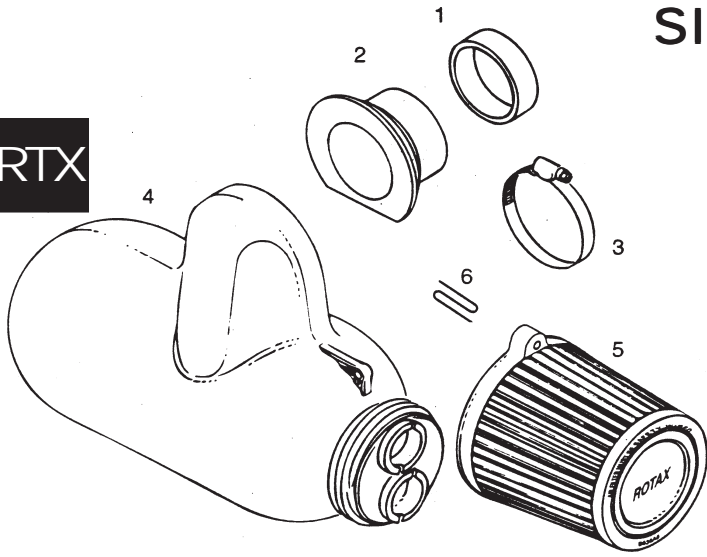


INTAKE SILENCER KIT SINGLE

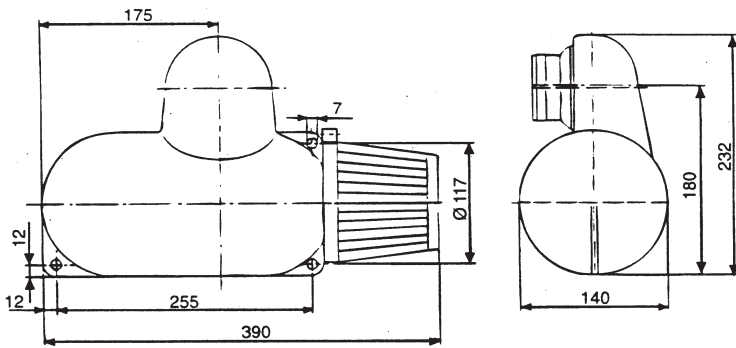
RTX



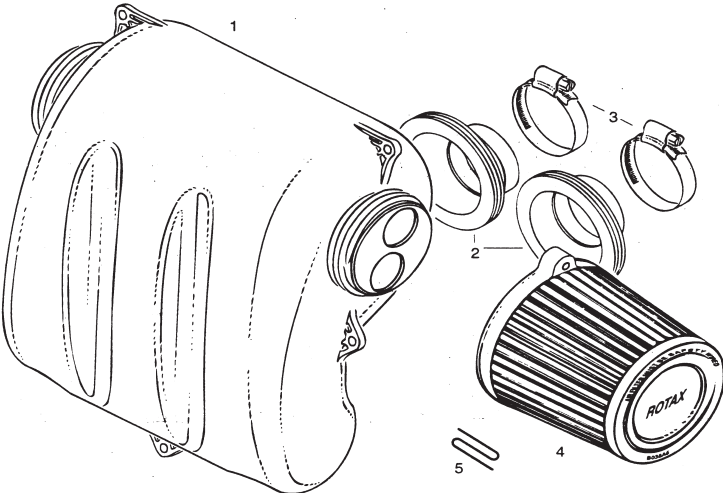
Ill No.	Part No.	Description	Qty
1-6	825 760	Single intake silencer kit	1
1	860 160	Adaptor ring	1
2	825 440	Adaptor	1
3	951 790	Clamp 50-70	1
4	825 337	Intake silencer assy	1
5	CMO300	Air filter w/safety	1
6	SW032	Safety wire, .032 Stainless	As Rqd

NOTE: KIT DOES NOT COME WITH MOUNTING HARDWARE OR BRACKETS

NEW CARB JETTING REQUIRED, JETS NOT INCLUDED WITH KIT



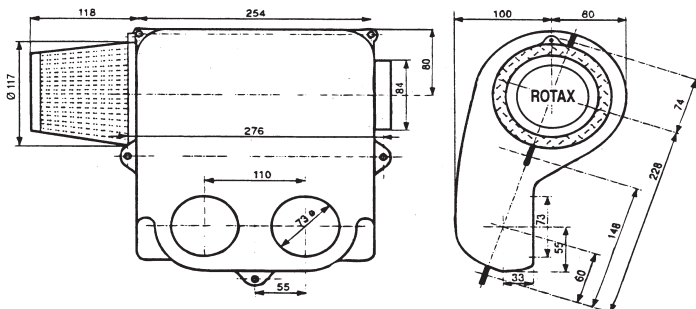
INTAKE SILENCER KIT DUAL



Ill No.	Part No.	Description	Qty
1-5	825 762	Dual intake silencer kit	1
1	825 657	Intake silencer assy, filter up	1
	825 659	Intake silencer assy, filter down	1
2	825 660	Silencer socket	2
3	951 790	Clamp 50-70	2
4	CMO300	Air filter w/safety	1
5	SW032	Safety wire, .032 stainless	As Rqd
Not shown	825 415	Internal plastic tubes	2

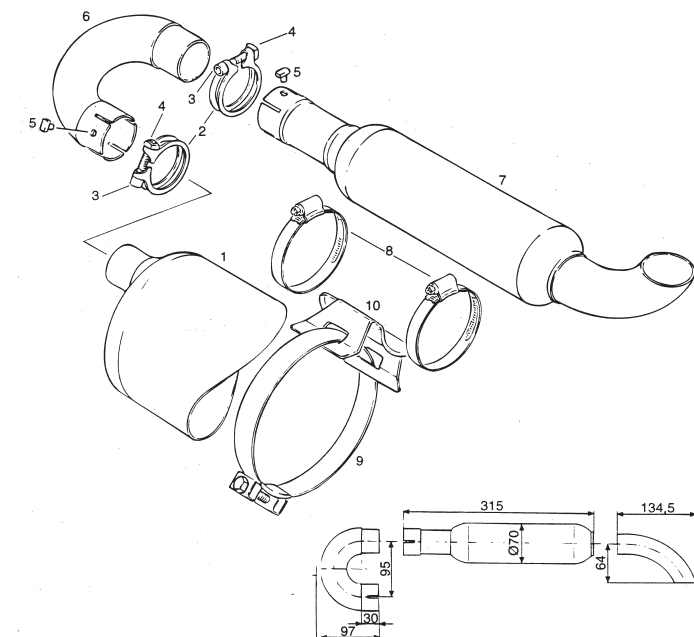
NOTE: KIT DOES NOT COME WITH MOUNTING HARDWARE OR BRACKETS, SEE 618DISK, PAGE 46 FOR ONE MOUNTING SUGGESTION

NEW CARB JETTING REQUIRED, JETS NOT INCLUDED WITH KIT



EXHAUST SILENCER CLAMP ON TYPE

SILENCERS

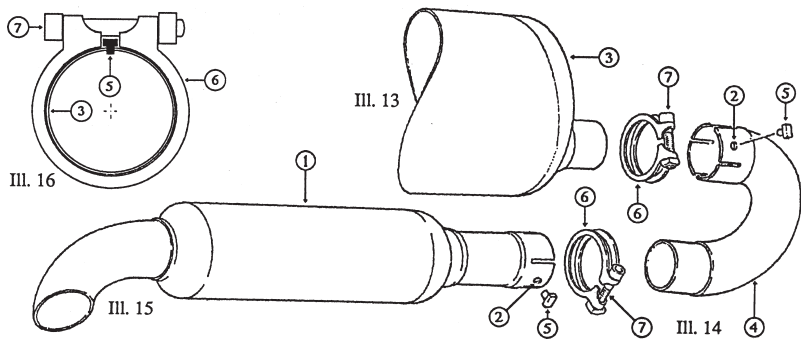


III No.	Part No.	Description	Qty
1		Muffler assy	1
2-10	978 650	After muffler kit, clamp on	1
2	953 251	clamp 42	2
3	241 811	Allen screw M6x35	2
4	942 991	Square nut M6	2
5	929 920	Security bolt	2
6	878 407	Elbow assy	1
7	878 967	After muffler assy	1
8	851 130	Clamp 60-80	2
9	851 140	Hose clamp 140	1
10	851 150	Muffler holder	1

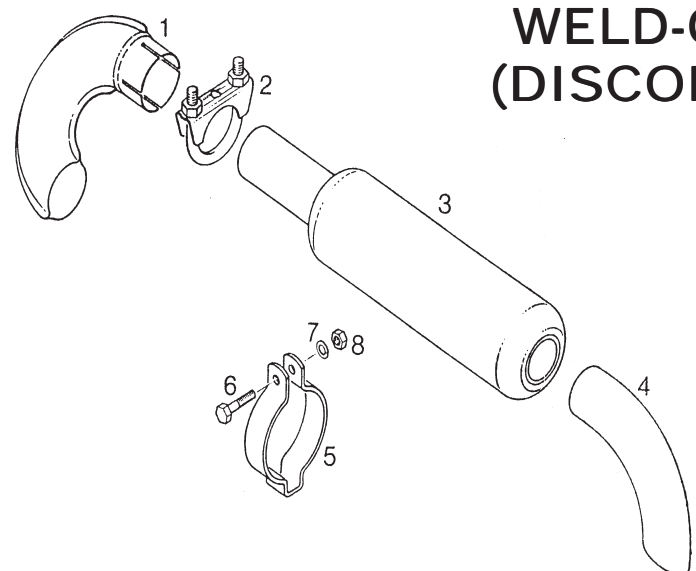
RTX

INSTALLATION

For assembly of the after muffler system, make 2 bores, #5 and #7, for the securing bolts, after having decided in which position the after muffler #1 should be installed. The outside bores #2 are already made standard. After drilling the bores, remove all chips from the exhaust system. To assure correct position of the after-muffler during engine operation, the connections between the exhaust muffler #3 and connecting elbow #4, and between connecting elbow #4 and after-muffler #1 must be secured with the bolts #5 against twisting. For keeping the security bolts #5 in position, fit the clamps #6 so that the allen screw #7 clamps the securing bolt #5.



EXHAUST SILENCER WELD-ON TYPE (DISCONTINUED)



III No.	Part No.	Description	Qty
1-8		After muffler kit, weld-on NO LONGER AVAILABLE	1
1	878 405	Elbow	1
2	985 165	Clamp 1 5/8-41	1
3-4	878 374	After muffler assy w/out tube	1
3	878 372	After muffler assy	1
4	979 780	Outlet tube	1
5	853 530	Clamp	1
6	240 931	Hex screw M8x30	1
7	945 751	Lock washer A6	1
8	242 211	Hex nut M6	1

NOTE: WELD-ON KIT IS INSTALLED BY WELDING BASE OF CLAMP #5 AND UN-NOTCHED END OF ELBOW #1 TO MUFFLER.